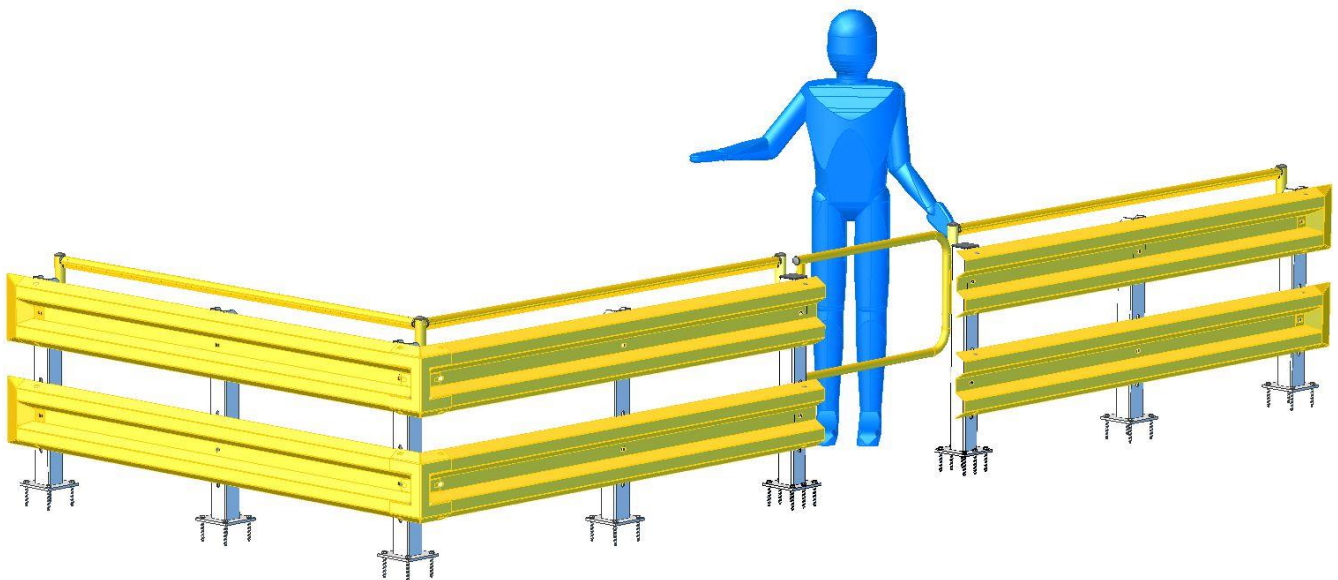


Walksafe Traffic Barrier

Certified Barrier

Installation & Owners Manual



PROJECT/CLIENT:	SO No:
PACKED BY:	DATE: / /
CHECKED BY:	DATE: / /
INSTALLED BY:	DATE: / /
COMMISIONED BY:	DATE: / /

- When receiving goods on site, please check all packages immediately for damage or repackaged goods that may have been damaged during shipping.
- Any damage must be reported to Vanguard within 24 hours of receiving product.

Contents

Safety Warnings	3
Installation Tools and Notes	4
Installation Instructions	5 – 6

Preface

- The installation of Walksafe Traffic Barrier is for experienced installers only and this manual must be followed carefully.
- All warnings and safety precautions must be followed at all times.
- A selection of hand and power tools will be required depending on the type of fixing available.
- Vanguard reserves the right to change product design and specifications without notice.

Safety Warning

- All necessary safety precautions must be carried out to ensure a safe working environment for yourself and those around you.
 - **WARNING!** – Failure to follow precautions in this manual may result in severe personal injury or death.

Walksafe Traffic Barrier Tools & Notes

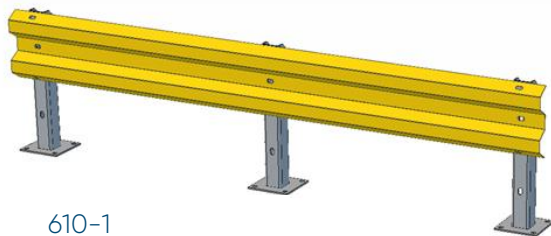
Walksafe Traffic Barrier System must be installed as shown in the drawings below to ensure the barrier will be effective to its full potential.

When installed according to the full instructions in this manual, the barrier system is designed to stop a total mass of 4 metric tonnes moving at a speed of 3.5kmph, at 90° to the barrier. The barrier system is designed to stop the chassis and main body of the fork truck only. Depending on fork truck attachments and loads, an extra safety distance from the barrier may be advisable.

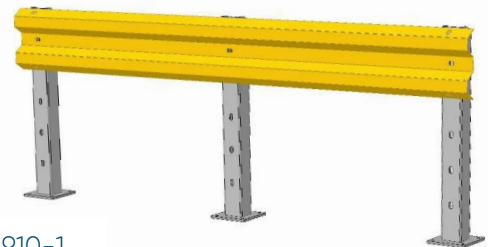
Each barrier support post must be bolted to the concrete with four M10 x 100mm galvanised screw bolts, as supplied. Each barrier end post must be bolted to the concrete with six M10 x 100mm galvanised screw bolts, as supplied. Barrier rails must be bolted to support posts and end caps with M16 x 35mm flange bolts and nuts; and bolted to the end posts with M16 x 100mm galvanised coach bolts, nuts and heavy washers, as supplied.

See full installation instructions on pages 5 and 6 for certified installation.

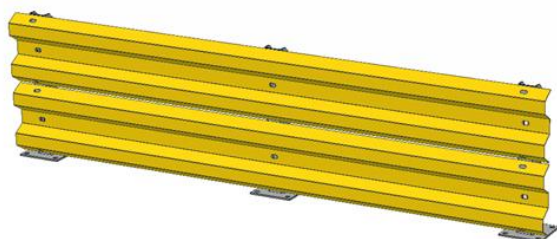
Note: If the barrier system requires rails to be trimmed, ensure the ends are filed smooth and painted afterward to protect against corrosion.



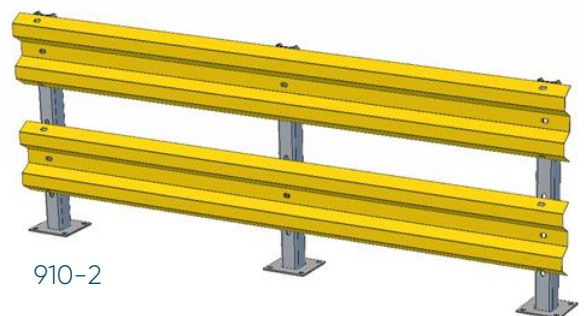
610-1



910-1



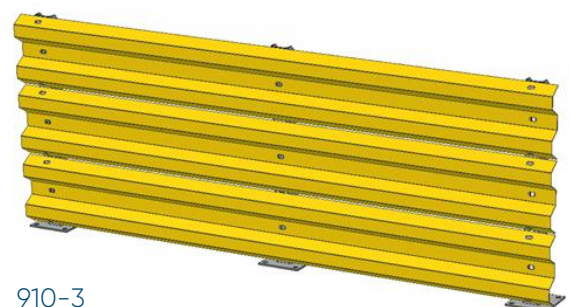
610-2



910-2



310-1

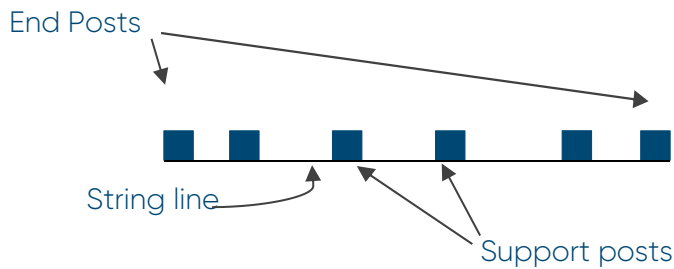


910-3

Installation Instructions

Step 1

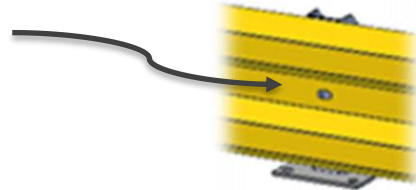
- Use a string line to mark the front edge of posts. There will be three support posts per barrier length, including end posts for the start and finish of the barrier run.



Step 2

- Fix barrier rails to the top of the first three posts. Tighten the bolts to finger-tight only, ensuring they sit in the centre of the slots in the barrier panel.

Bolt head to be in the centre of panel slot



Step 3

- Use a level to ensure each post is vertical and sitting straight on both front and side. Use shims if needed, to ensure the posts are fully vertical.

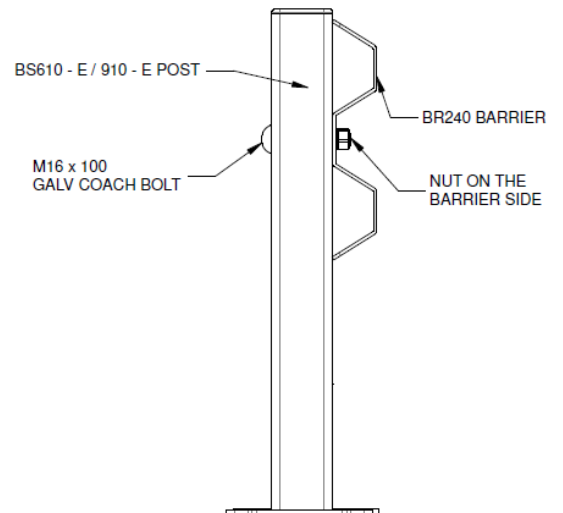
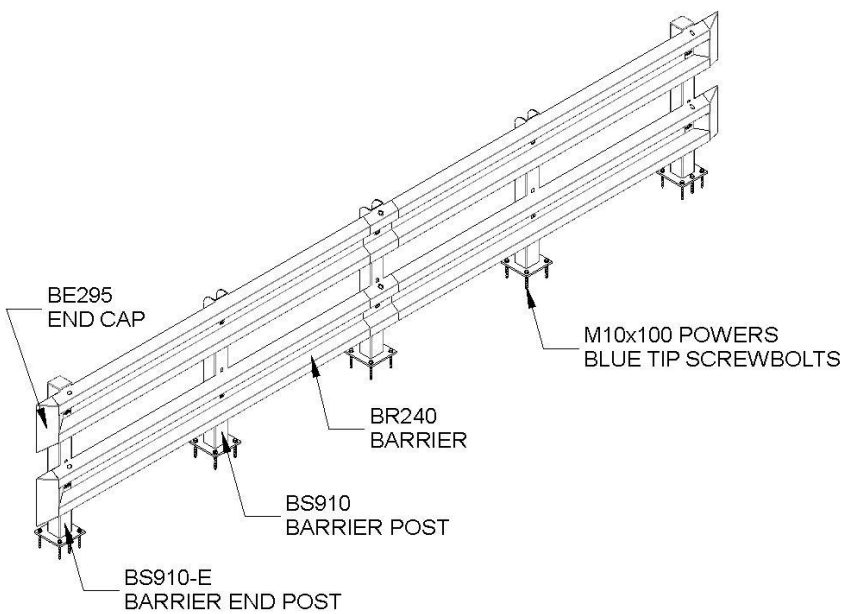
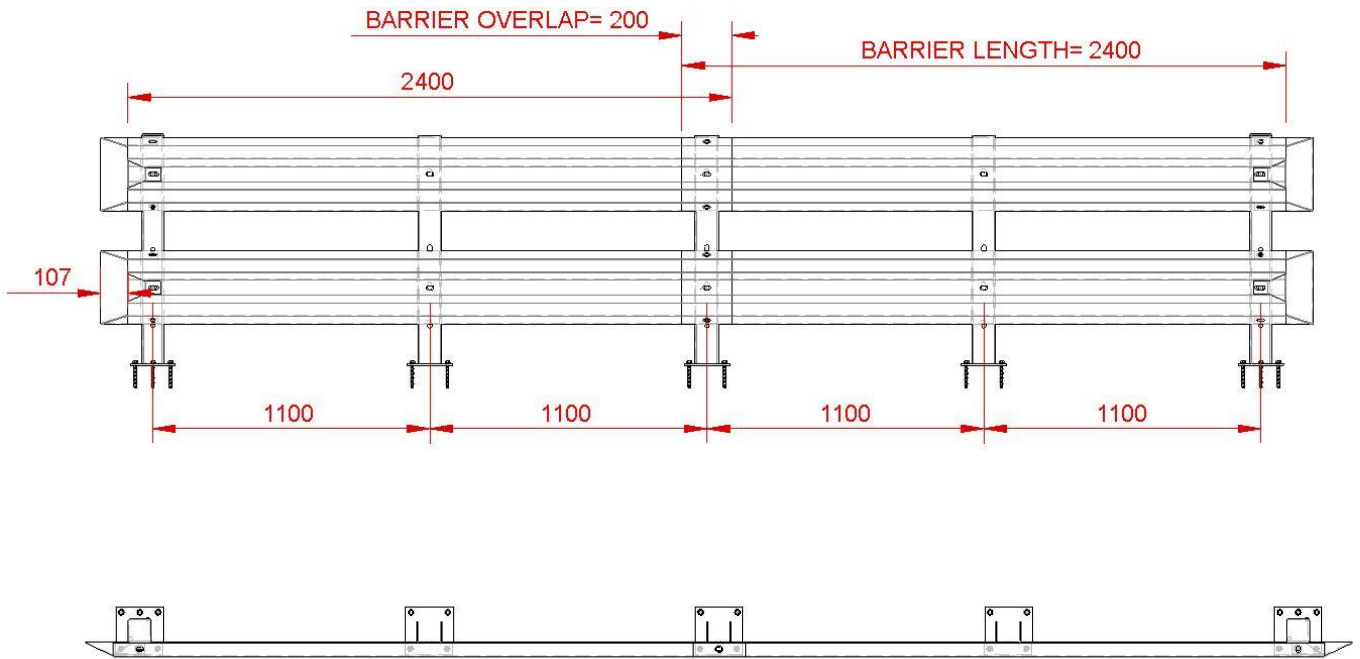


Step 4

- When each post is level, drill fixing holes into the concrete. Fix the screw bolts about two-thirds of the way into the concrete, leaving loose to allow small adjustments when fitting lower barrier rails (if applicable).

Step 5

- Repeat the process until the barrier run is completed. Remember to use an end post with six screw bolts in the foot at the end of the run. Attach any lower barrier panels. Fully tighten all post screw bolts and all barrier panel bolts.



Fix coach bolts to end posts as shown above