



Suggested Uses.

- Deter skateboarding on long edge street furniture and steps.

Benefits.

- Eliminates potential damage caused to property and architecture by skateboards, bicycles and skates.
- Manufactured from polished marine grade 316 stainless steel to suit square edge and rolled edge landscape walls and other ledges.
- Designed to be cast into new walls during construction or retrofitted with adhesive or grout into a saw cut

Useful Tip.

Suggested spacing is 500-600mm between each Skate Deterrent

Specifications.

Code	12-SDBL
Description	Blade Skate Deterrent
Material	316 Stainless Steel
Width	4mm
Length	100mm
Height	61mm (12mm above ground)
Pack Qty	10 units

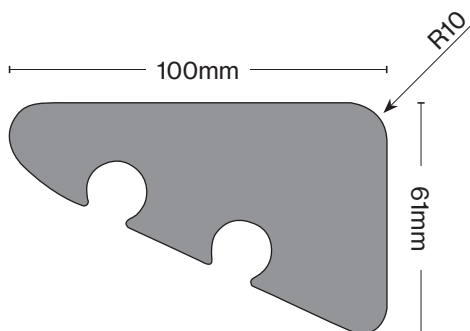
Fixings.

49-AF3001	Anchorfix Adhesive - 300ml Tube
-----------	---------------------------------

Installation.

Concrete Surface & Timber Surface:

Mask installation zone then mark the length and depth of sawcut. Cut 6mm slot and dry fit blade insert to check fitment. Apply adhesive, fit blade, and remove tape. Fill remaining slot with grout then clean excess mortar/grout from area.



Scan here to view the webpage.

